

D

C

B

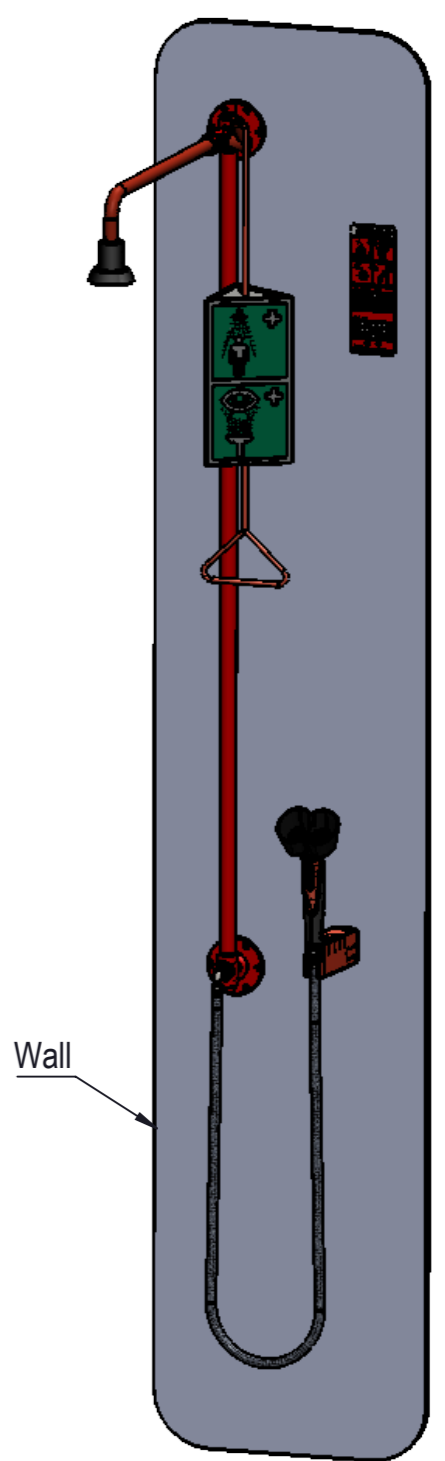
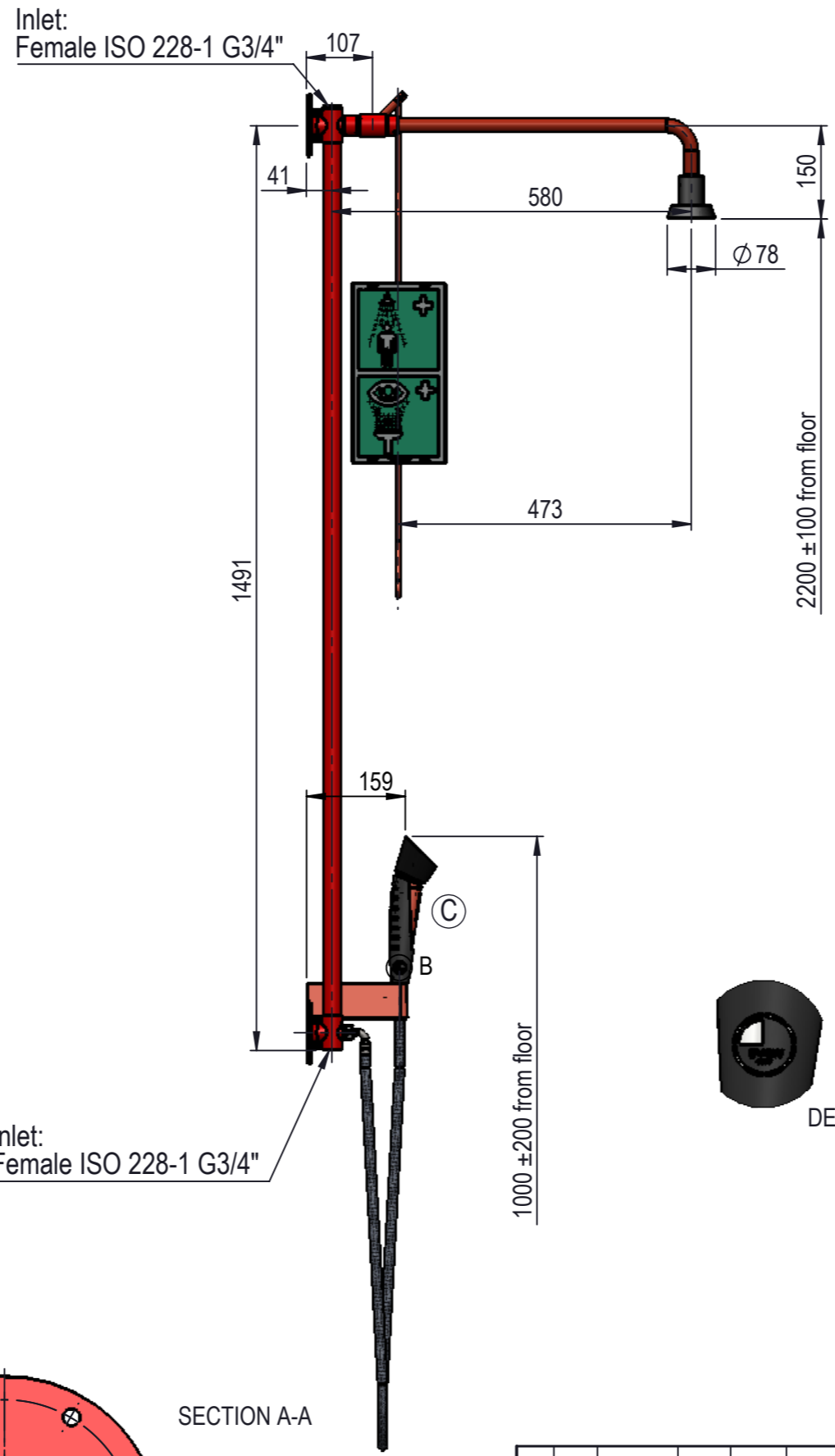
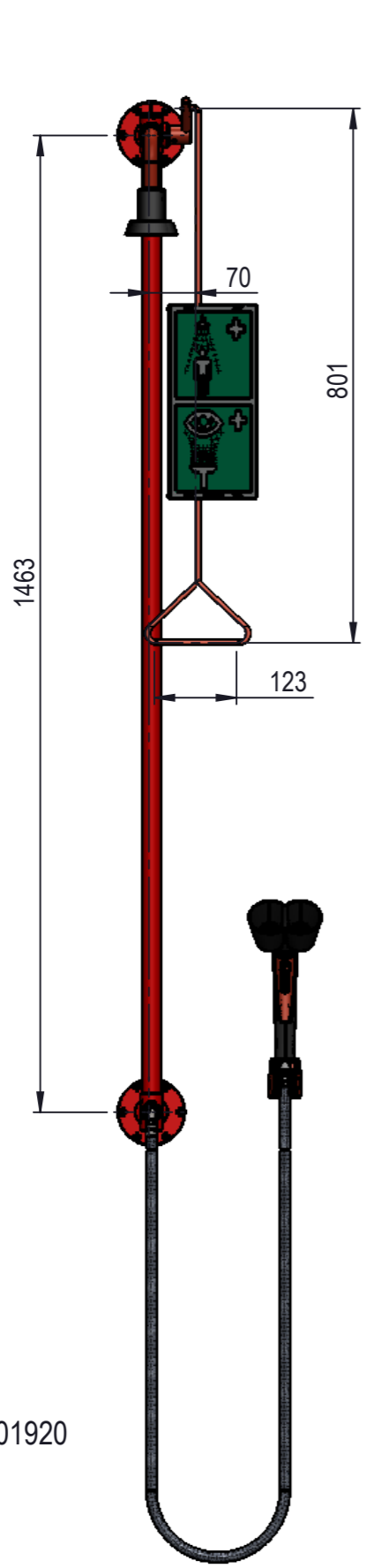
A

D

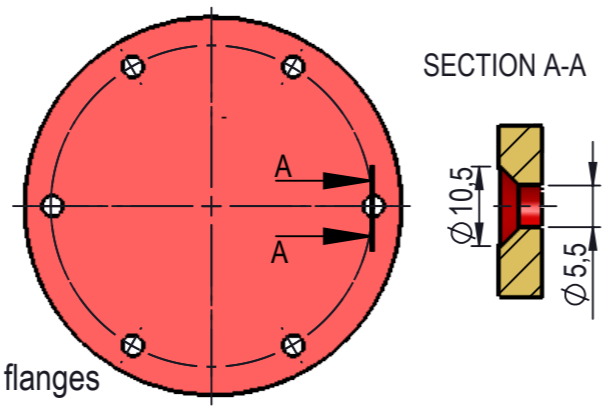
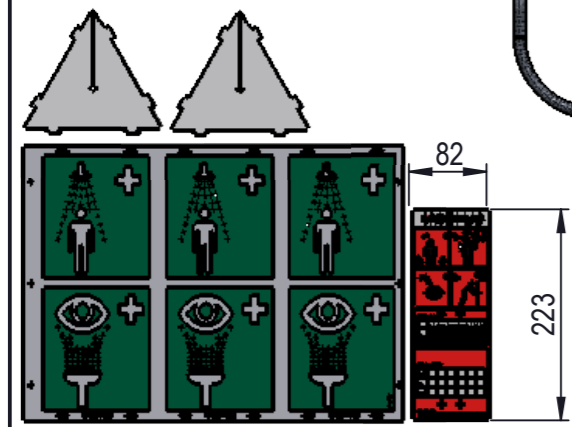
C

B

A



Signs & Instructions: 17001920



Description:		Body and eye shower; Wall mounted	
Media:		Water	
Material:			
Specification:		Handheld eye shower	
Comments:			
Drawing type:		Customer drawing	Weight: 7.946 Kg
All dimensions made with are inspection dimensions			
Unspecified linear tolerances:		Unspecified angular tolerances:	
Designed by:	Drawn by:	Released on TM No.:	Date:
HEM	HEM	7023	31-10-18
Format:	Drawing No.:		17535009C
A3			

Rev.	Pos.	Date	TM No.	Design by	Drawn by	Change:
B	D4	31-10-18	7325	HEM	HEM	580; 473 was 658; 551
C	B5	23-05-19	7538	HEM	HEM	DVGW appr. shower

BROEN-LAB This drawing is our property and cannot be given to a third party, copied or otherwise used without our permission. BROEN-LAB A/S

