

8

7

6

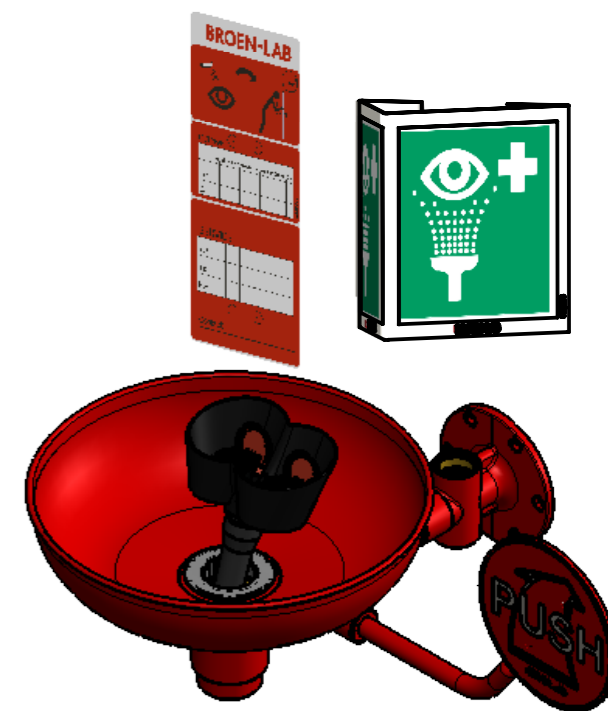
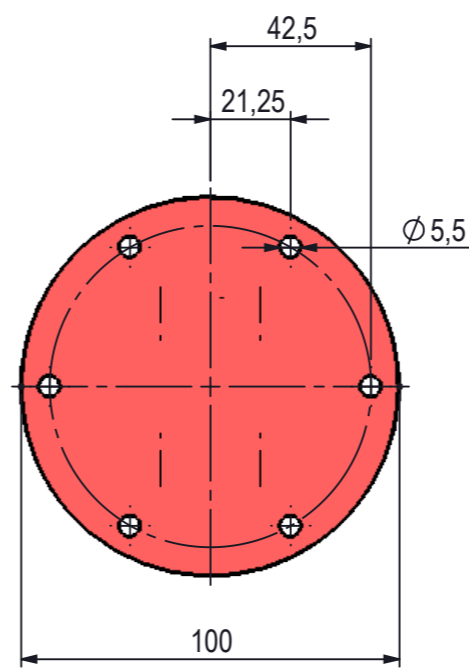
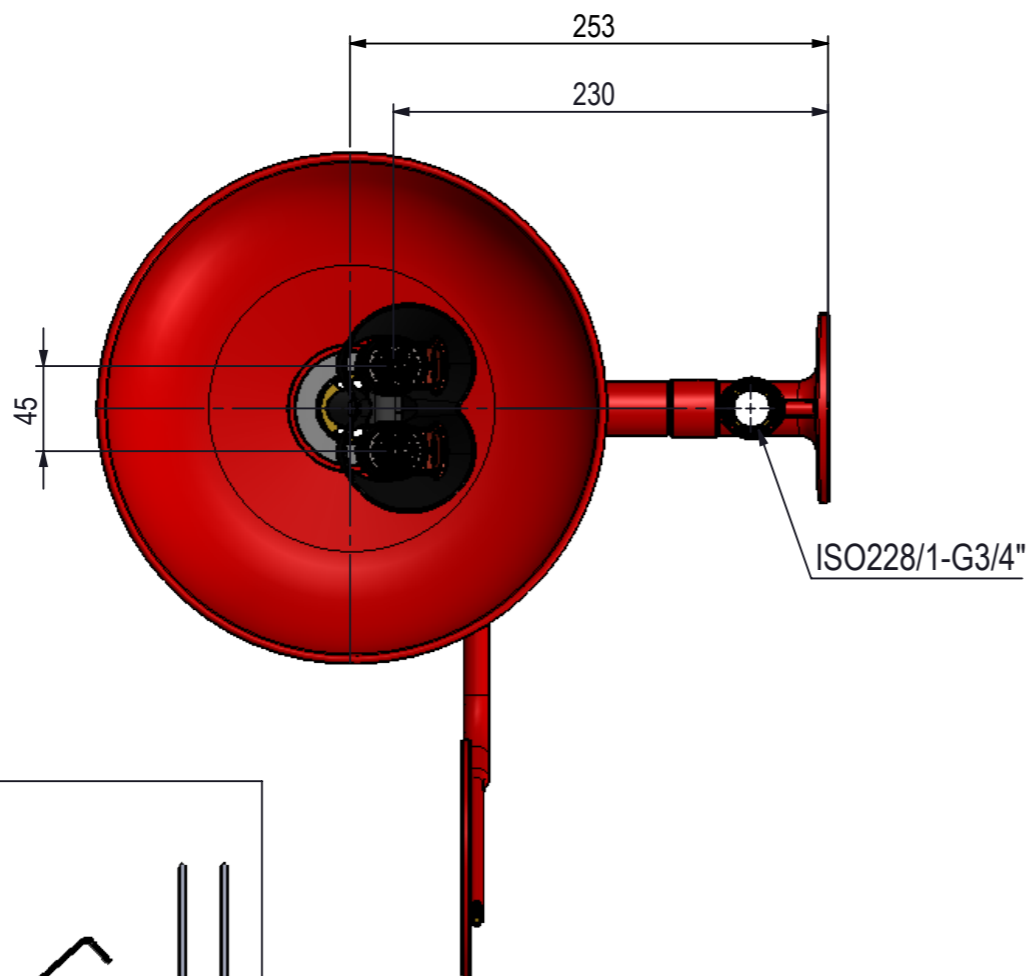
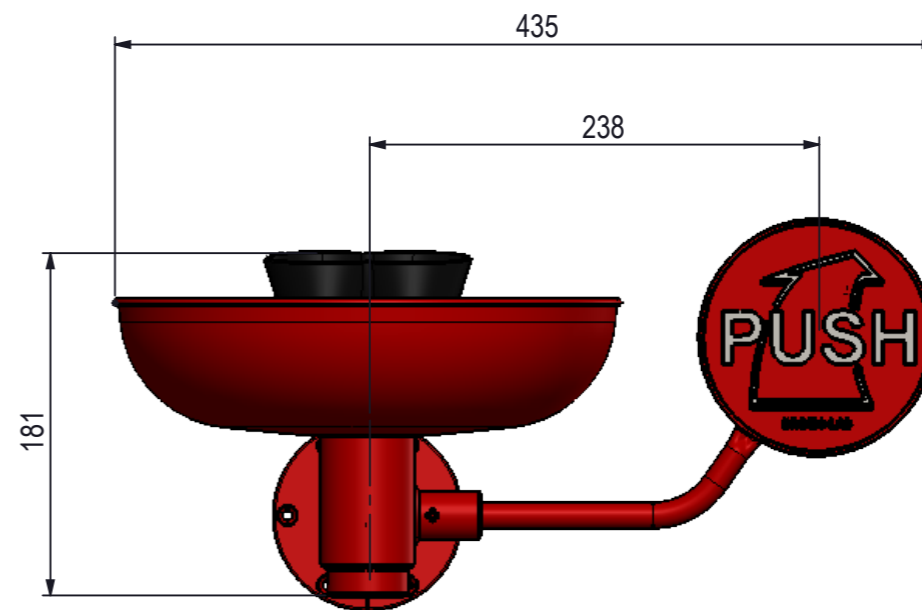
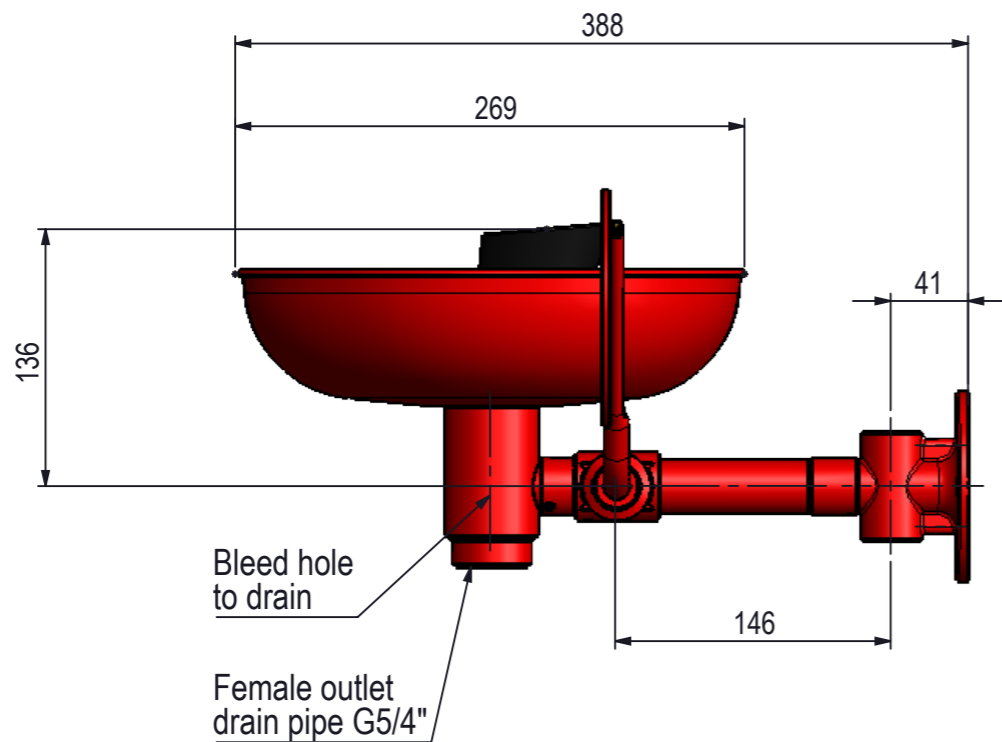
5

4

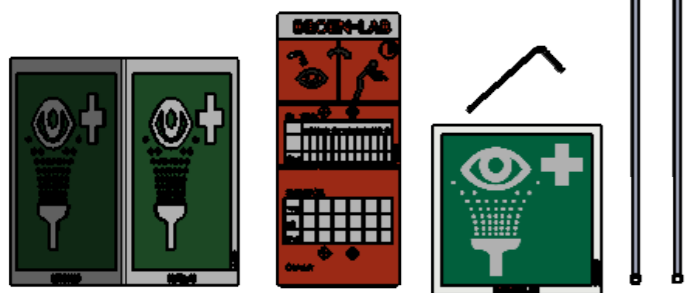
3

2

1



17001900
Sign package



Description:	Eye shower, wall mounted									
Media:	Water									
Material:										
Specification:	Recirculating									
Comments:	Legionella									
Drawing type:	Customer drawing									
Weight:	3.414 Kg									
All dimensions marked with are inspection dimensions										
Unspecified linear tolerances:										
Unspecified angular tolerances:										
Rev. Pos.	Date	TM No.	Design by	Drawn by	Change:	Designed by:	Drawn by:	Released on TM No.	Date:	
B	A8	25-07-23	7100	VEF	VEF	Updated sign package	SHE	ROE	7568	25-07-23
Format:							Drawing No.:			
A3							17543009C			

This drawing is our property and cannot be given to a third party, copied or otherwise used without our permission. BROEN-LAB A/S					

8

7

6

5

4

3

2

1