

4

3

2

1

D

D

C

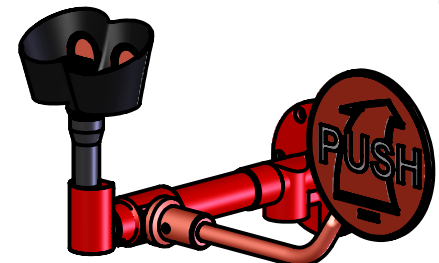
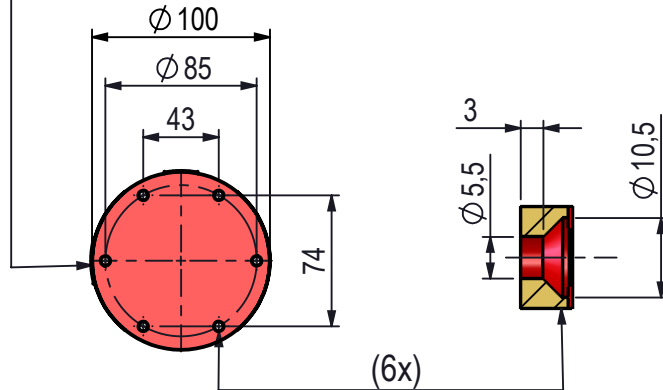
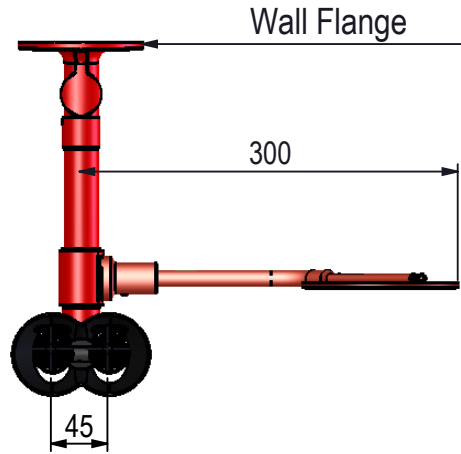
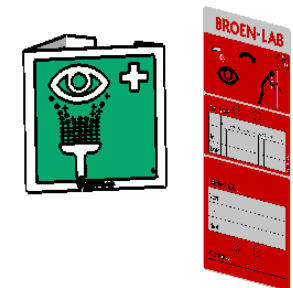
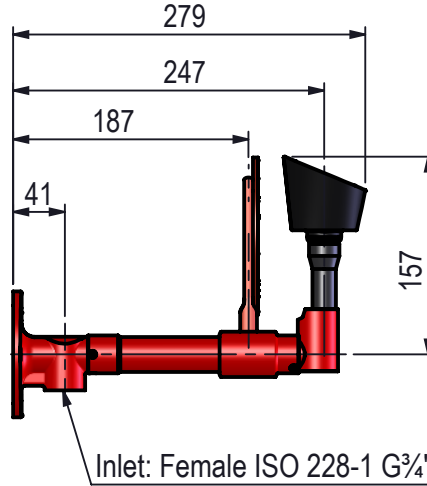
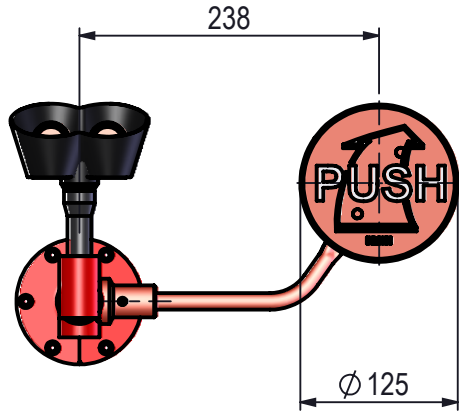
C

B

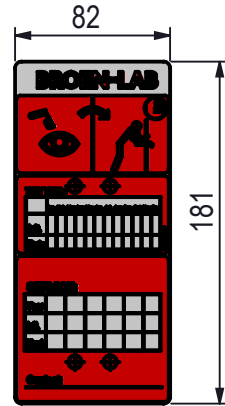
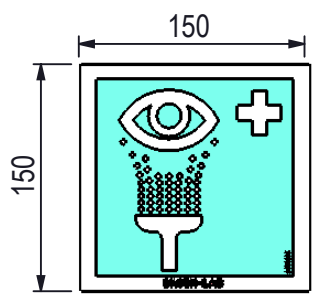
B

A

A



Signs & instructions: 17001900



Description:		Eye shower, wall mounted	
Media:		Water	
Material:			
Specification:			
Comments:			
Drawing type:		Customer drawing	Weight: 1.995 Kg
All dimensions made with are inspection dimensions			
Unspecified linear tolerances:		Unspecified angular tolerances:	
Designed by:	Drawn by:	Released on TM No.	Date:
HEM	AAH		21-10-16
Format:	Drawing No.:		17550009C
A4			

Rev.	Pos.	Date	TM No.	Design by	Drawn by	Change:

BROEN-LAB

This drawing is our property and cannot be given to a third party, copied or otherwise used without our permission. BROEN-LAB A/S.

4

3

2

1