

8

7

6

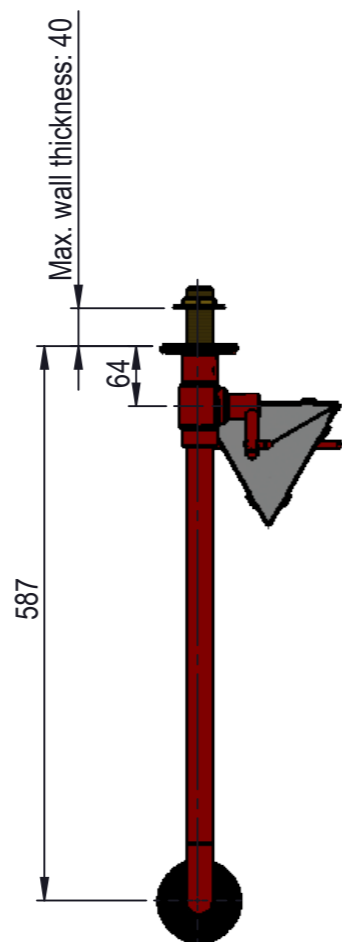
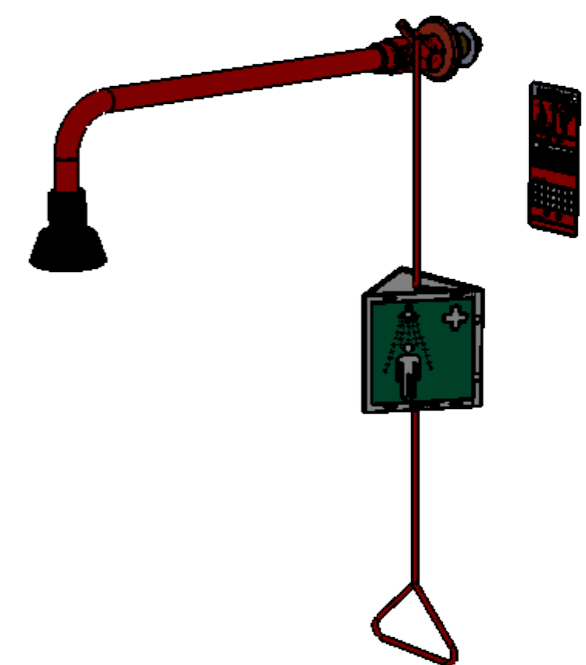
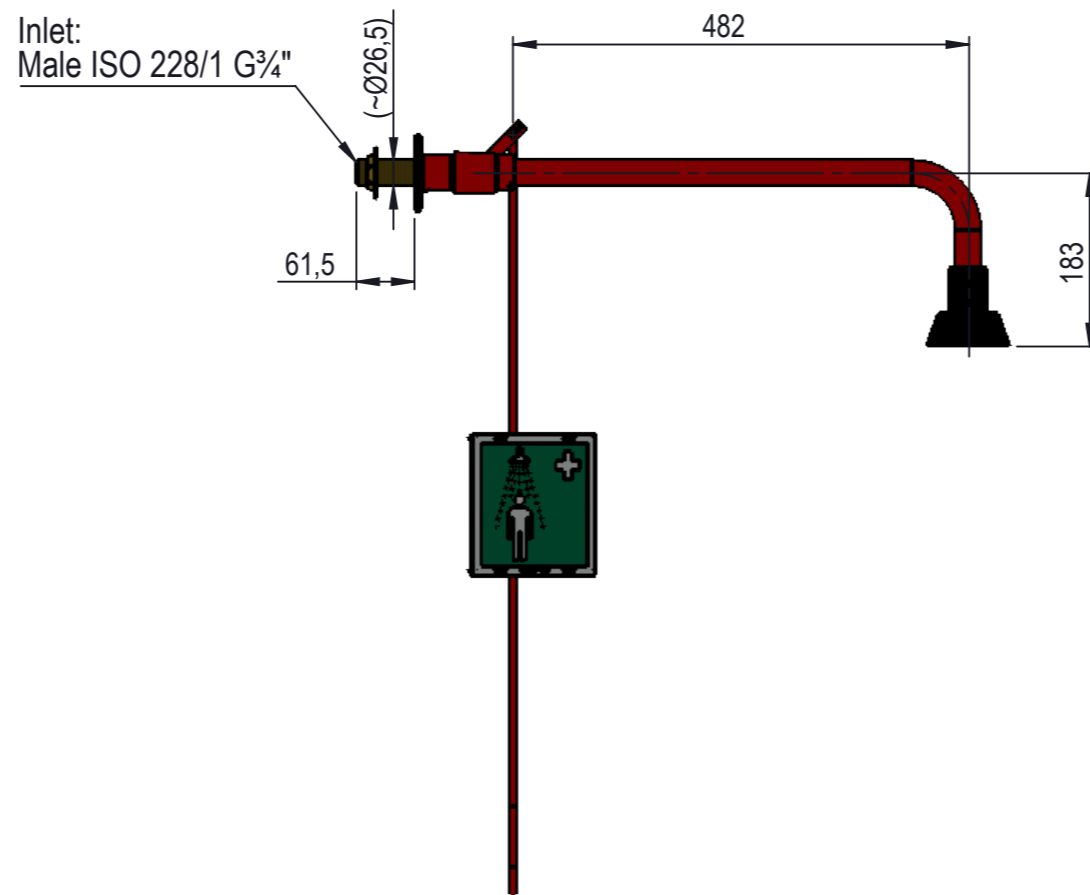
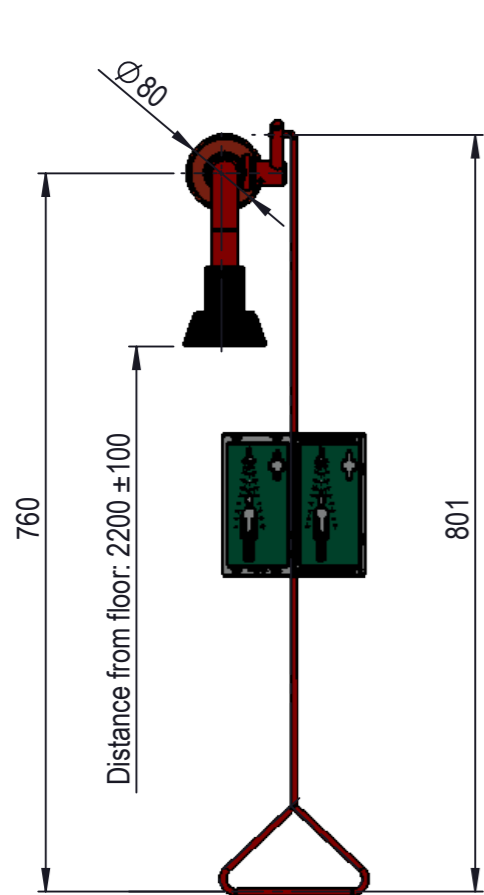
5

4

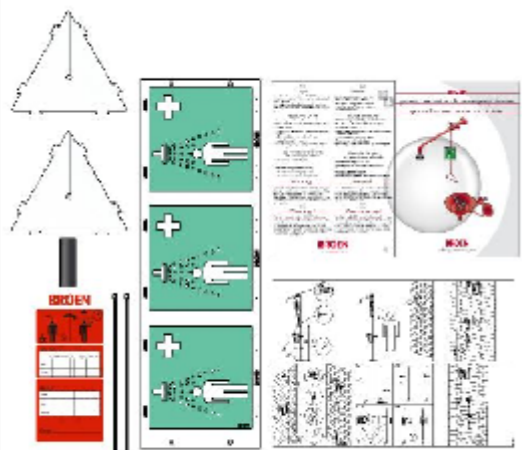
3

2

1



Signs & instructions: 17001910



Description:		Body shower; Wall mounted	
Media:		Water	
Material:			
Specification:		Inlet: male G ³ / ₄ "	
Comments:			
Drawing type:		Customer drawing	Weight: 2.710 Kg
All dimensions marked with are inspection dimensions			
Unspecified linear tolerances:		Unspecified angular tolerances:	
Designed by:	Drawn by:	Released on TM No.	Date (DD-MM-YY):
HEM	HEM	7850	16-03-20
Format:	Drawing No.:		17571009C
A3			

Rev.	Pos.	Date	TM No.	Design by	Drawn by	Change:

This drawing is our property and cannot be given to a third party, copied or otherwise used without our permission. BROEN-LAB A/S



8

7

6

5

4

3

2

1