

8

7

6

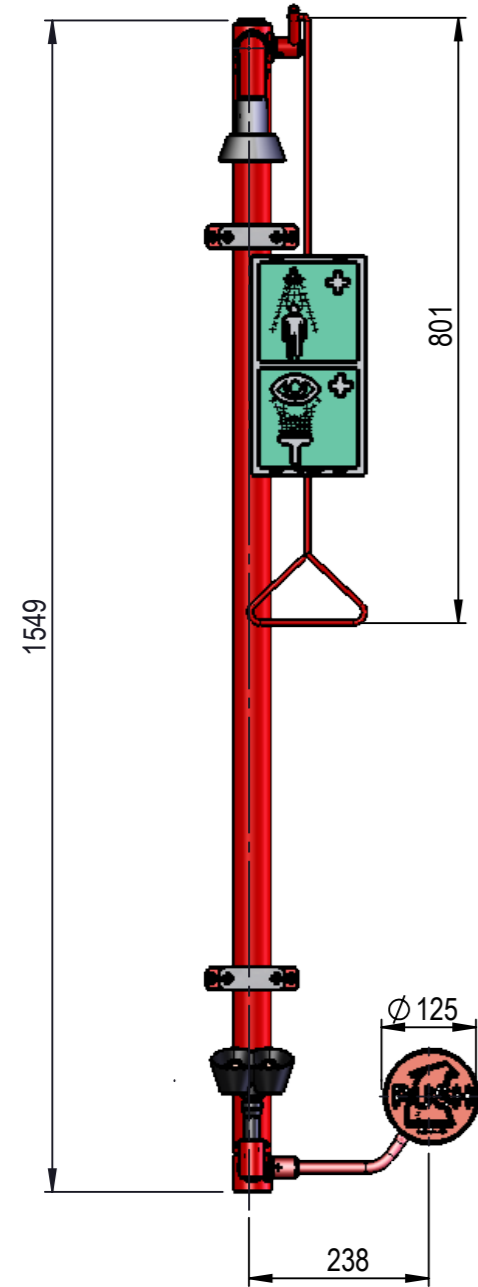
5

4

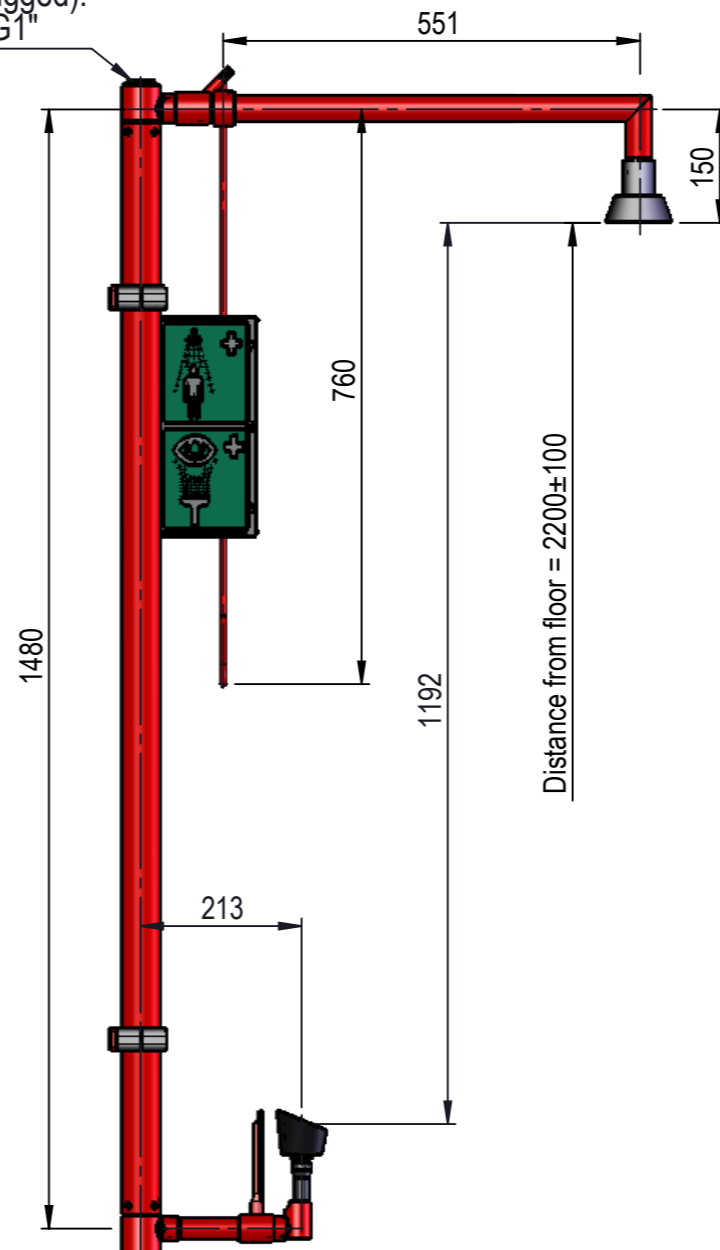
3

2

1

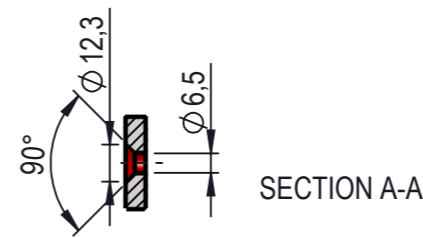
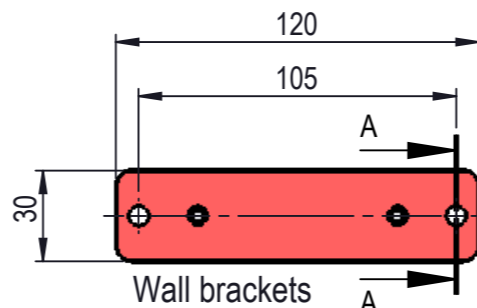
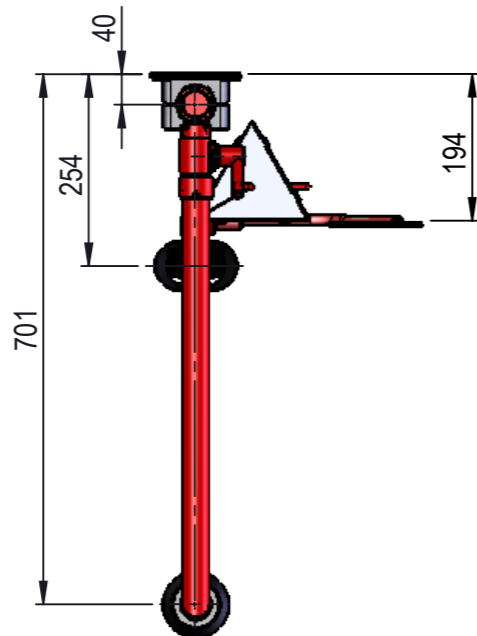
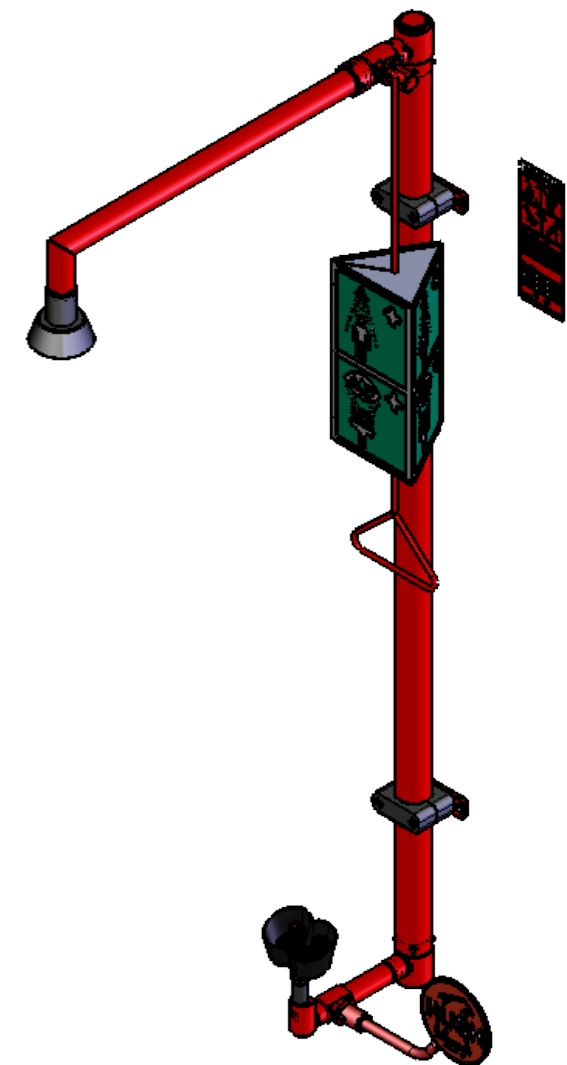


Alternative inlet (Plugged):
Female ISO 228/1 G1"

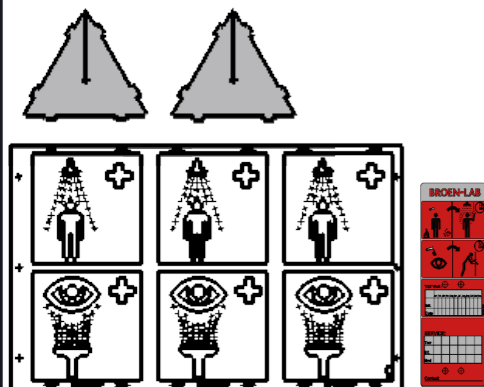


Distance from floor = 2200±100

Inlet:
Female ISO 228/1 G1"



Signs & Instructions: 17001920



Description:		Body- & eyeshower; Wal-mounted	
Media:		Water	
Material:			
Specification:			
Comments:			
Drawing type:		Customer drawing	Weight: 10.112 Kg
All dimensions marked with \varnothing are inspection dimensions			
Unspecified liniar tolerances:		Unspecified angular tolerances:	
Designed by:	Drawn by:	Released on TM No.	Date:
HEM	HEM	7866	16-03-20
Format:	Drawing No.:		17652009C
A3			

Rev.	Pos.	Date	TM No.	Design by	Drawn by	Change:

BROEN-LAB
This drawing is our property and cannot be given to a third party, copied or otherwise used without our permission. BROEN-LAB A/S

