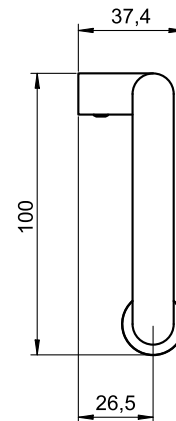
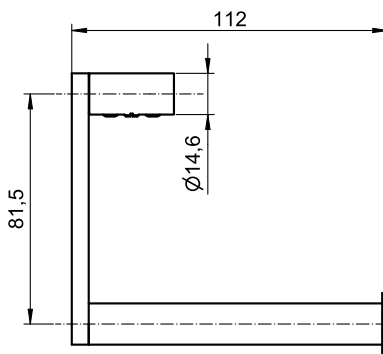


ART. AB-380

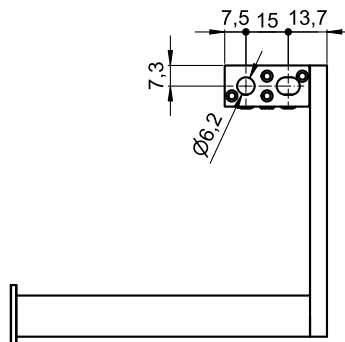
## Single toilet roll holder

### Single toilet roll holder with short mounting body, bronze

Single toilet roll holder with short mounting body for wall mounting. Stainless steel, surface powder-coated in bronze matt with fine structure | Architectural Bronze. For rolls with max. 105mm width and minimum 23mm tube diameter. Including small concealed mounting system with plugs and stainless steel adapter screws.



Bohrbild | drill pattern



Mounting video

