

# IMP E/ELS 24 Pump

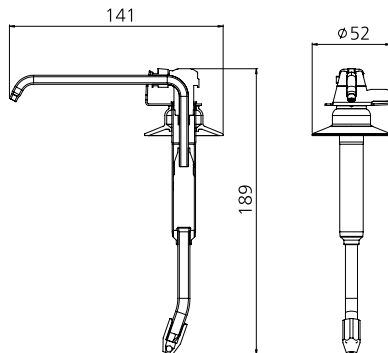
Premium long life pump made of stainless steel

Art. No. 1416015

 **OPHARDT**  
HYGIENE

**OPHARDT HYGIENE-TECHNIK GmbH**  
Lindenau 27 | 47661 Issum | Germany  
Tel.: +49 (0) 28 35 18-10 | Fax: +49 (0) 28 35 18-77  
planer@ophardt.com | www.ophardt.com

IMP E/ELS 24 Pump



Maße in mm - Dimensions in mm



## References

hospitals, clinics, retirement/care homes, dental practices, commercial kitchen, food processing areas, laboratories, rescue stations, administration facilities

## Usage examples

Passage area, entrance area, Intensive care units, dialysis stations, surgery areas, nursing and examination rooms, clean room, therapy rooms

## Technical data

Filling volume (ml):	500 ml
Dosing pump:	long-life stainless steel pump with bent suction tube
Dosage quantity:	0.75 / 1.0 / 1.2 / 1.5 ml/stroke
Filling good:	Liquid soaps (without Grit), Disinfectant, Lotion
Cleaning:	dishwashersafe (60° C), autoclavable up to 134° C, 2 bar
Warranty:	5 years
Dimensions (W x H x D) in mm:	52x189x141
Note:	Before using new products, please always check the compatibility of the product and the dispensing system to ensure proper functionality.