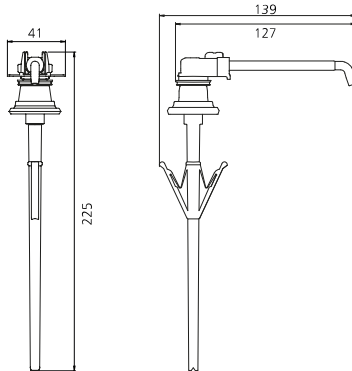


DHP IMP T

Recyclable disposable hygiene pump for IMP Euro bottle dispensers
Art. No. 4401858

DHP IMP T



Maße in mm - Dimensions in mm



References

hospitals, clinics, retirement/care homes

Usage examples

Passage area, entrance area, Intensive care units, dialysis stations, surgery areas, nursing and examination rooms, clean room, therapy rooms

Technical data

Filling volume (ml):	1000 ml
Dosing pump:	recyclable DHP disposable plastic pump
Dosage quantity:	1.5 ml/stroke
Filling good:	Disinfectant, Liquid soaps (without Grit)
Polypropylene:	9,36 g
Polyethylene:	3,12 g
Thermoplastic elastomers:	1,93 g
Silicone:	0,45 g
Net weight:	0.015 kg
Dimensions (W x H x D) in mm:	41x225x139

- Note:
- Any manipulation of the DHP disposable pump will lead to the expiration of any warranty claim on the entire dispensing system. Any service calls resulting from this will be charged separately.
 - Before using new products, please always check the compatibility of the product and the dispensing system to ensure proper functionality.